

# SPECIFICATIONS

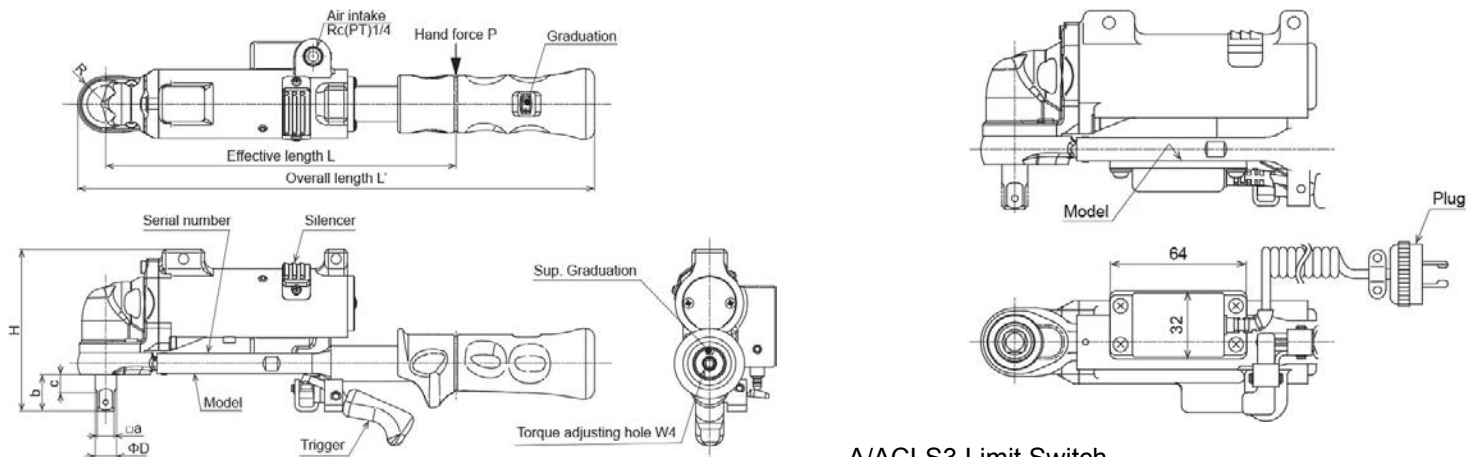
Accuracy +/- 3%

STANDARD, S.I.		AC25N3	AC50N3	-	AC100N3	AC180N3
W/ LIMIT SWITCH		ACLS25N3	ACLS50N3	-	ACLS100N3	ACLS180N3
N.m	Range	5-25	10-50	-	20-100	40-180
	Grad.	0.25	0.5	-	1	2
METRIC MODEL		AC250M3	AC500M3	-	AC1000M3	AC1800M3
W/ LIMIT SWITCH		ACLS250M3	ACLS500M3	-	ACLS1000M3	ACLS1800M3
kgf.cm	Range	50-250	100-500	-	200-1000	400-1800
	Grad.	2.5	5	-	10	20
AMERICAN MODEL		AC200I3-3/8	AC400I3-3/8	AC800I3-3/8	AC75F3-3/8	AC130F3-1/2
W/ LIMIT SWITCH		ACLS200I3-3/8	ACLS400I3-3/8	ACLS800I3-3/8	ACLS75F3-3/8	ACLS130F3-1/2
lbf.in/ lbf.ft	Range	50-200	100-400	[lbf.in] 200-800	[lbf.ft] 15-75	-
	Grad.	2.5	5	[lbf.in] 10	[lbf.ft] 1	-
Provisional Tightening [Nm]		11		17.5		19
Free Rotation [r.p.m]		1000		900		800
Air Pressure [MPa]				0.6		
Air Mass Flow [m <sup>3</sup> /min]		0.2		0.29		0.31
L		198.5		238		400
L'		293		333.5		487.5
H		92.8		107.7		124.5
R		16		17		20.5
□ a		9.53		12.7		
b		20.9		24.9		26.4
c		11		12.2		
φ D		12		16		
φ d		3.1		4.1		
Weight [kg]		1.5 (1.7)		2.0 (2.2)		3.3 (3.5)

## Notes

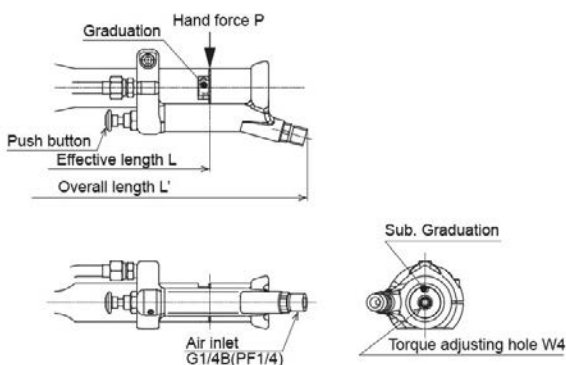
1. The required hose diameter of A10N3 - 180N3, AC25N-50N are  $\Phi 5$ , AC100N3, 180N3 are  $\Phi 6$ .
2. ISO VGA32 (turbine oil #90) is required as the lubrication.
3. Rated voltage of the limit switch is AC/DC 30V, below 1A.
4. The provisional tightening torque is not guaranteed.
5. ACFD Wireless Version with Data Output available as special order upon request.
6. ACQSPLDS Wired Version with Data Output available as special order upon request.
7. Applicable for international use including the EU region. Compliant with calibration procedures of ISO 6789 Type II Class A.

## DIMENSIONS



AC3

A/ACLS3 Limit Switch



A/AC180N3 A/ACLS180N3