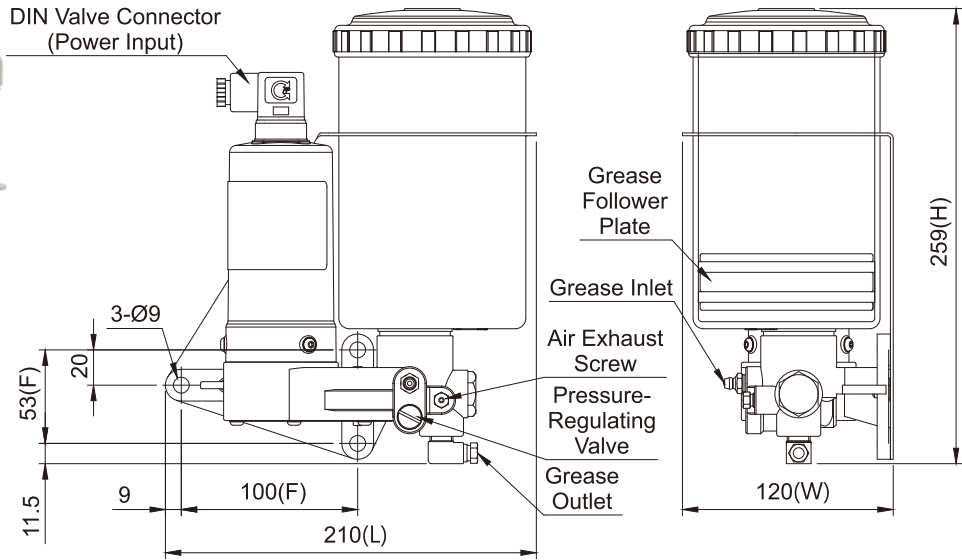


# KGA / KGAP Resistance Type PLC Grease Electric Lubricator



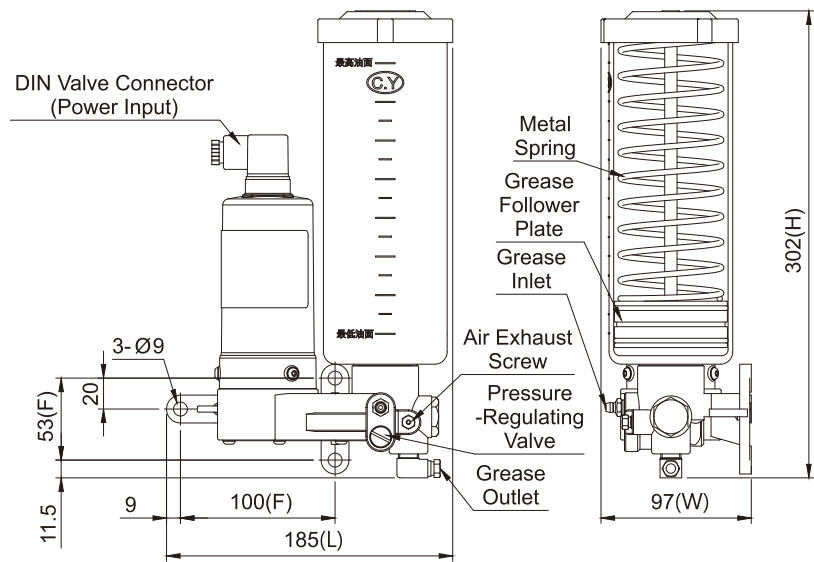
KGA-35-K-1



Dimensional Drawing of KGA-35-K-1



KGAP-40-K-1



Dimensional Drawing of KGAP-40-K-1

## ◆ Features

1. The operation and interval time of KGA and KGAP are controlled by PLC.
2. A magnetic level switch can be added to KGA and KGAP on request to detect the grease level automatically.
3. Please refill grease from the grease inlet of KGA and KGAP to prevent air and impurities from entering the grease tank.
4. KGAP has a metal spring inside its grease tank, enabling it to work with thicker grease viscosity NLGI 1 and NLGI 2, while KGA is only available for NLGI 000 to 0.

## ◆ Dimensional Data (KGA)

Model	Tank Capacity	Length (mm)	Width (mm)	Height (mm)	Mounting Hole Distance (mm)	N.W. (kg)
KGA-30	600cc	185	97	247	100x53	1.69
KGA-40	800cc	185	97	302		1.71
KGA-35	1000cc	210	120	259		2.12

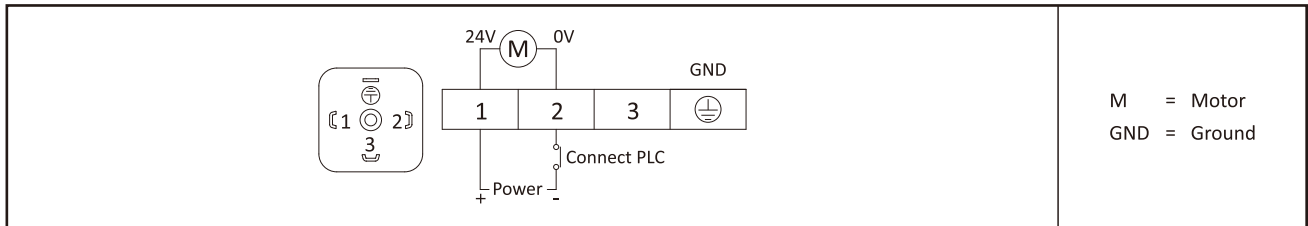
## ◆ Dimensional Data (KGAP)

Model	Effective Capacity	Length (mm)	Width (mm)	Height (mm)	Mounting Hole Distance (mm)	N.W. (kg)
KGAP-40	550cc	185	97	302	100x53	2.07

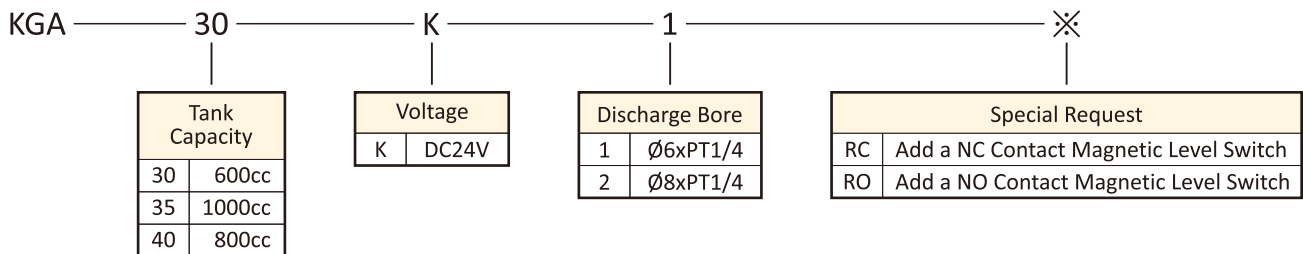
### ◆ Technical Data

Motor Power	Voltage	Ampere	Max. Discharge Volume	Max. Operating Pressure	Discharge Bore	Suitable Viscosity
35±3W	DC24V	2.1A	16cc/min	150kgf/cm <sup>2</sup>	∅6, ∅8	KGA: Grease, NLGI 000-0 KGAP: Grease, NLGI 1, 2

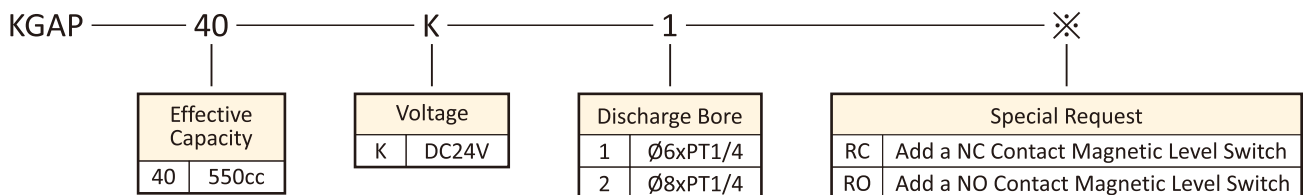
### ◆ Wiring Diagram



### ◆ Order Code (KGA)



### ◆ Order Code (KGAP)



### ◆ Related Products

