

CEVB Type Pressure-Relief Electric Lubricator

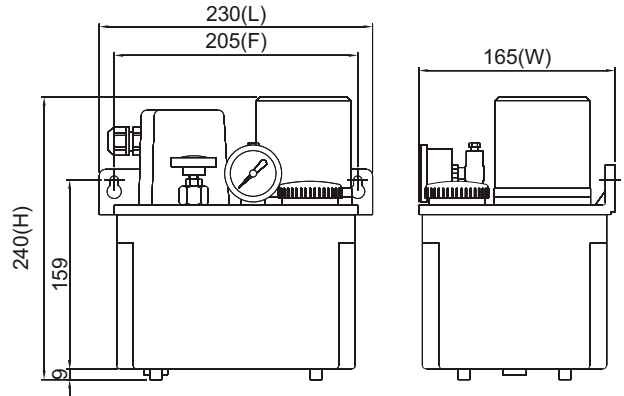


CEVB-08

(60W \ With pressure switch \ Feed-Oil Button and light)



CEVB-03



CEVB-03 Type Standards Externals

◆ Features

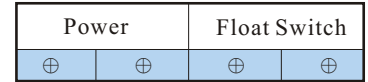
- 1.CEVB type is without timer (also could be controlled by Programmable Logic Controller) and has to work with volume distributors. If it is operated with CAB or CBB type volume distributor, it will feed oil during operation time. If it is operated with CDB or T type volume distributor, it will feed oil during interval time.
- 2.The discharge volume is fixed. Each output point of volume distributor has equal oil amount.
- 3.It has a pressure-regulating valve, which can adjust the pressure and easy to check from the pressure gauge.
- 4.It has a float switch that can detect the oil volume. When oil is lower than the minimum level, the float switch will automatically send a continuous signal and the buzzer will alarm.
- 5.It used a high quality alloy steel gear pump and induction motor that not only has steady output pressure and low noise, but also can assure each lubrication point with output of oil. It can be applied for large machines' request.
- 6.It can be added a pressure switch, power indicator and force feed-oil button for tank capacity 3 liters and above.
- 7.CEVB series of products include CEVB02, CEVB03, CEVB04, CEVB05, CEVB08 .

The accessories for each model are different. Please look at the specification for further details.

◆ Application of Machines Equipment

- 1.It can be used for the machines requiring strictly rationing oil flow.
- 2.It can be specially used for the machines requiring large oil-output and large pressure-output.
- 3.It is usually used for such as processing machines or projecting machines.

CEVB Single Phase Wiring Diagram

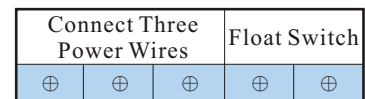


PS. If there are special requests, please refer to the special wiring diagram inside the lubricator.

Model	Motor	Max Volume	Max Pressure	Voltage	Ampere	Hertz	Discharge Bore	Oil Viscosity
CEVB	25W	250 cc/min	20kgf/cm ²	1Ø 110V 1Ø 220V 3Ø Optional	0.7A 0.2A 0.3A	50/60Hz	Ø4 or Ø6	32-68cSt@40°C
	60W	600 cc/min	30kgf/cm ²	1Ø 110V 1Ø 220V 3Ø Optional	1A 0.65A 0.35A			

Model	Tank Code	Tank Material	Capacity Liters	Fixed Hole Distance(mm)	Length (mm)	Width (mm)	Height (mm)	Weight (kg)
CEVB (25W)	02	Aluminum	2 L	200	217	161	228	5.75
	03	Resin	3 L	205	230	165	240	5.05
	04	Resin	4 L	250	280	165	260	5.65
	05	Aluminum	4 L	280	298	165	255	6.60
	08	Iron	8 L	338	355	190	275	9.30
CEVB (60W)	05	Aluminum	4 L	280	298	165	310	7.65
	08	Iron	8 L	338	355	190	340	10.40

CEVB Three Phase Wiring Diagram



While connecting wires, please notice that if the motor rotate anti-clockwise (see the red spot of spindle). If the motor rotate clockwise, please change positions of two power wires, then try again.

◆ Order code :

CE VB

02

C

25

3

※

Model :
Pressure-Relief Type

Tank Capacity(Material)
02 : 2L (Aluminum)
03 : 3L (Resin)
04 : 4L (Resin)
05 : 4L (Aluminum)
08 : 8L (Iron)
20 : 20L (Iron)

Voltage

A : 1Ø110V
C : 1Ø 220V
D : 3Ø 220/380V
E : 3Ø 220/440V
F : 3Ø 208/15V
G : 3Ø 230/460V
H : 3Ø 240/480V
X : Special Voltage

Motor

25 : 25W
60 : 60W

Discharge Bore

0 : Ø 4
1 : Ø 6
2 : Ø 4 (With Pressure Gauge)
3 : Ø 6 (With Pressure Gauge)

Special Request

※F : Add a Feed-Oil Button
※P : Add a Pressure Switch
※L : Add a light
※60 : 4L above metal tank could be assembled with 60W motor.
※90 : 4L above metal tank could be assembled with 90W motor.