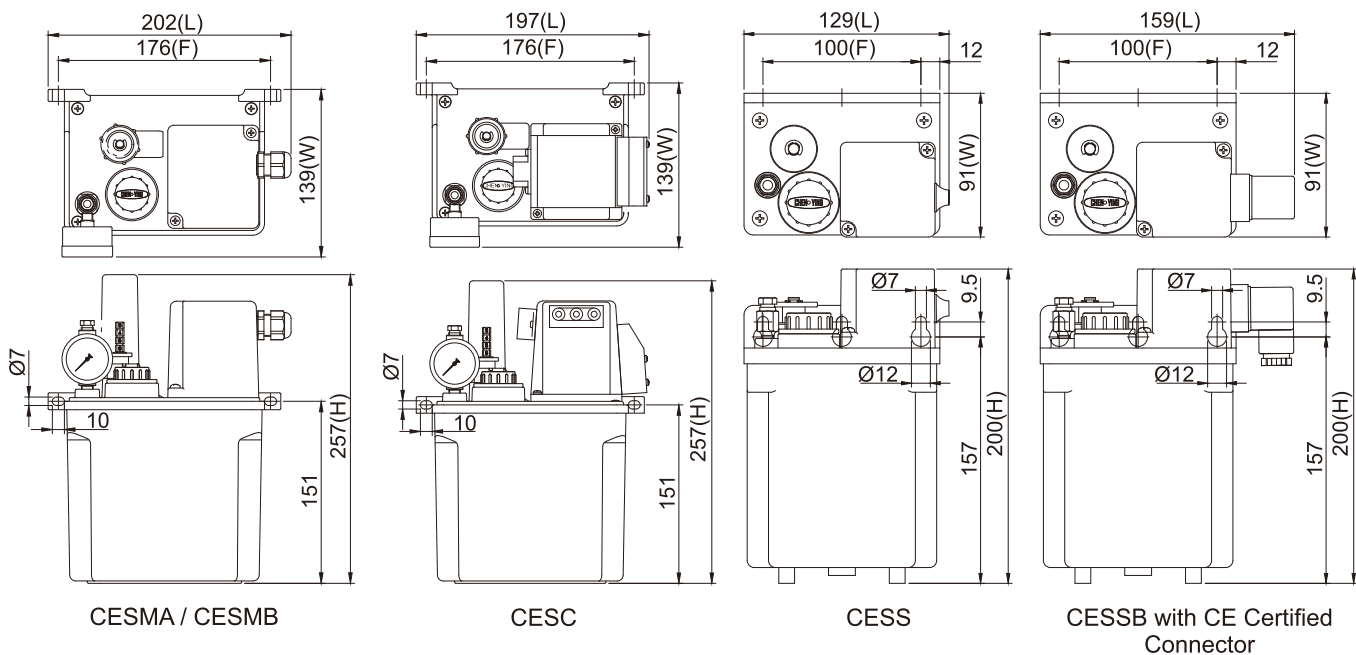


CESMA/B, CESC, CESS (B) Interval Time Fixed Resistance Type Oil Electric Lubricator



CESMA/B, CESC, CESS (B) Resistance Type Oil Electric Lubricator

◆ Dimensional Drawings



◆ Features

1. The interval time of CES series lubricators is controlled by the rotational speed of the small synchronous motor that no external controllers or timers are needed.
2. The discharge volume of CES series lubricators is adjustable.
3. CESMB and CESSB have NO contact float switches that detect the oil levels automatically and send signals when the oil levels are high.
4. CESC have a NC contact float switch that detects the oil level automatically and sends signals when the oil level is low.
5. The control box of CESC has three indicators that show power, action, and alarm.
6. A power indicator can be added to CESMA and CESMB on request to show when the power is on.
7. A CE certified connector can be added to CESSB on request to change the wiring method from external to internal.

◆ Dimensional and Equipment Data

Model	Tank Capacity	Length (mm)	Width (mm)	Height (mm)	Mounting Hole Distance (mm)	N.W. (kg)	Float Switch	Buzzer	Pressure Gauge	Control Box	Indicator Light	Wiring Method
CESMA	2L	202	139	257	176	1.84	X	X	O	X	Optional	Internal
CESMB		202	139	257	176	1.86	O	X	O	X	Optional	Internal
CESC		197	139	257	176	1.96	O	O	O	O	O	External
CESMA	1L	129	91	200	100	1.28	X	X	X	X	X	External
CESSB		159	91	200	100	1.30	O	X	X	X	X	External

CESMA/B, CESC, CESS (B) Resistance Type Oil Electric Lubricator

Interval Time Fixed

CESMA/B, CESC, CESS (B) Resistance Type Oil Electric Lubricator

◆ **Technical Data**

Interval Time	2, 3, 5, 10, 15, 30, 60 min (Non-Adjustable) (2 min is not available for CESC.)	
Motor Power	4W	
Voltage	110V	220V
Ampere	0.10A	0.05A
Hertz	50/60Hz Compatible	
Max. Discharge Volume	CESMA, CESMB, CESC: 3-6cc Adjustable or 1-6cc Adjustable CESS, CESSB: 3cc Non-Adjustable or 1-3cc Adjustable	
Max. Operating Pressure	3kgf/cm ²	
Discharge Bore	Ø4, Ø6	
Float Switch	CESMB : NO Contact (NC Contact on request) CESC : NC Contact CESSB : NO Contact (NC Contact on request)	
Suitable Viscosity	Oil, 32-68 cSt@40°C	

◆ **Order Code (CESMA, CESMB, CESC)**

CESMA — 10 — C — 6 — 3 — ✕

Model	Interval Time	Voltage	Discharge Bore	Special Request
MA MB C	02 2 min 03 3 min 05 5 min 10 10 min 15 15 min 30 30 min 60 60 min	A 110V C 220V	0 Ø4 1 Ø6 2 Ø4 W/Pressure Gauge 3 Ø6 W/Pressure Gauge	L Add a Power Indicator Light (Available for CESMA and CESMB only) SC NC Contact Float Switch (Available for CESMB only)

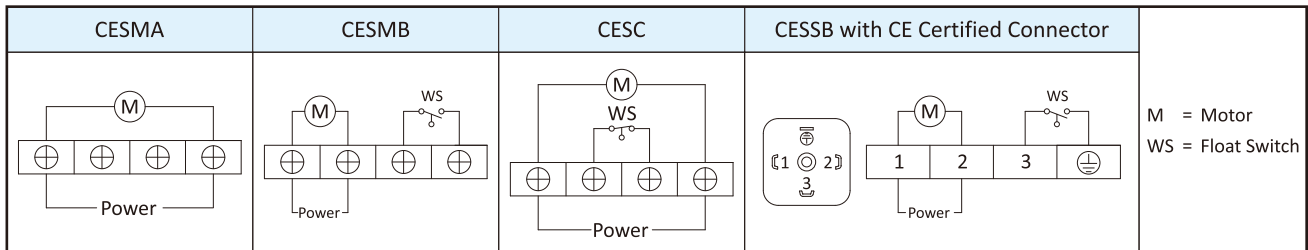
Discharge Volume
1 1-6cc Adjustable
6 3-6cc Adjustable

◆ **Order Code (CESS, CESSB)**

CESS — 10 — C — 3 — 1 — ✕

Model	Interval Time	Voltage	Discharge Volume	Discharge Bore	Special Request
S SB	02 2 min 03 3 min 05 5 min 10 10 min 15 15 min 30 30 min 60 60 min	A 110V C 220V	1 1-3cc Adjustable 3 3cc Non-Adjustable	0 Ø4 1 Ø6	H Add a CE Certified Connector (Available for CESSB only) SC NC Contact Float Switch (Available for CESSB only)

◆ **Wiring Diagram**



◆ **Related Products**

