



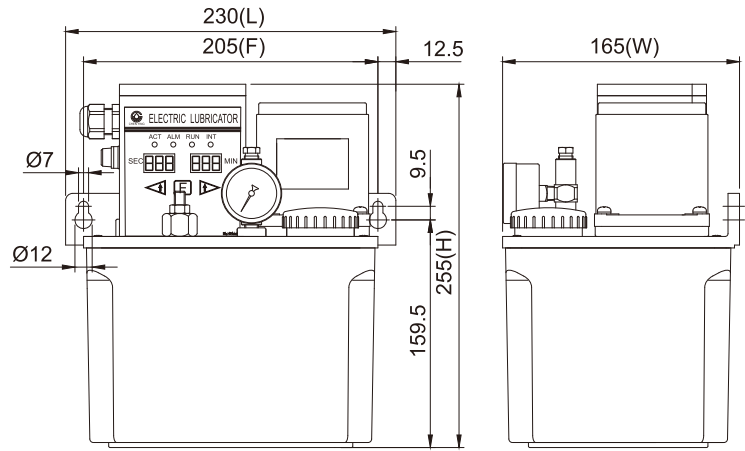
CHEN YING

CENA Resistance Type Oil Electric Lubricator **Timer**

CENA Resistance Type Oil Electric Lubricator



CENA-03-2-C-25-3



Dimensional Drawing of CENA-03-2-C-25-3

◆ Features

1. CENA has a timer that controls its operation and interval time. The control box has a built-in buzzer that sends an alarm sound when the oil level is low. The control box also has four indicators, operation (ACT), alarm (ALM), immediate lubrication (RUN), and interval (INT).
2. CENA can memorize the set value of operation time and interval time.
3. CENA has a pressure gauge that enables the user to check the operating pressure easily.
4. CENA has a NC contact float switch that detects the oil level automatically and sends signals when the oil level is low.
5. CENA has a pressure-regulating valve that enables the user to adjust the operating pressure.
6. CENA has a feed-oil button (F button), which can be used as manual oil feeding for less than 3 minutes to avoid overloading the motor.
7. CENA with 3L above tank can add a 1kgf/cm² socket pressure switch to detect the operating pressure automatically, which sends signals when the pressure is below the preset value.
8. The gear pump of CENA is made of special aluminum alloy and assembled with the induction motor to provide stable output pressure, low operating noise, and long service life. It meets the requirements of most large machines.

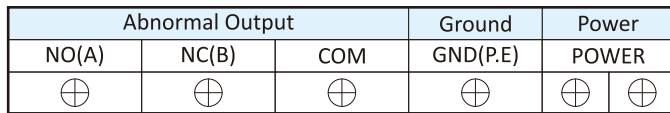
◆ Dimensional Data

Motor Power	Tank Capacity	Tank Material	Length (mm)	Width (mm)	Height (mm)	Mounting Hole Distance (mm)	N.W. (kg)
25W	2L	Aluminum	222	150	245	95x200	5.70
	3L	Resin	230	165	255	205	4.80
	4L	Resin	277	162	266	250	5.20
	4L	Aluminum	297	170	264	95x280	6.65
60W	8L	Iron	355	201	285	95x338	9.40
	4L	Aluminum	297	170	311	95x280	7.70
	8L	Iron	355	201	331	95x338	10.45

◆ Technical Data

Operation Time	1-999 sec			
Interval Time	1-999 sec, 1-999 min			
Motor Power	25W		60W	
Voltage	110V	220V	110V	220V
Ampere	0.6A	0.3A	1.2A	0.6A
Max. Discharge Volume	250cc/min		500cc/min	
Max. Operating Pressure	15kgf/cm ²		30kgf/cm ²	
Hertz	50/60Hz Compatible			
Discharge Bore	Ø4, Ø6			
Float Switch	NC Contact			
Pressure Switch	Optional (NC Contact)			
Suitable Viscosity	Oil, 32-68 cSt@40°C			

◆ Wiring Diagram



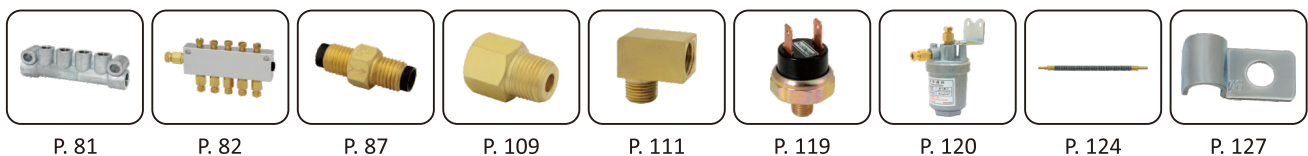
◆ Order Code

CENA — 03 — 2 — C — 25 — 3 — ※

Tank Capacity (Material)	ACT x INT	Motor Power	Discharge Bore	Special Request
02 2L (Alum.)	1 sec x sec	25 25W	0 Ø4	B Add a Larger Buzzer
03 3L (Resin)	2 sec x min	60 60W	1 Ø6	PC Add a NC Contact Pressure Switch (Available for 3L and above tanks only)
04 4L (Resin)		90 90W	2 Ø4 W/Pressure Gauge	
05 4L (Alum.)			3 Ø6 W/Pressure Gauge	
08 8L (Iron)				

※ 60W and 90W motors are only available for CENA with a 4L metal tank and above.

◆ Related Products



P. 81

P. 82

P. 87

P. 109

P. 111

P. 119

P. 120

P. 124

P. 127