



CHEN YING

CEN24 Horizontal, CEN25 Vertical Type Oil-Mist PLC Electric Lubricator

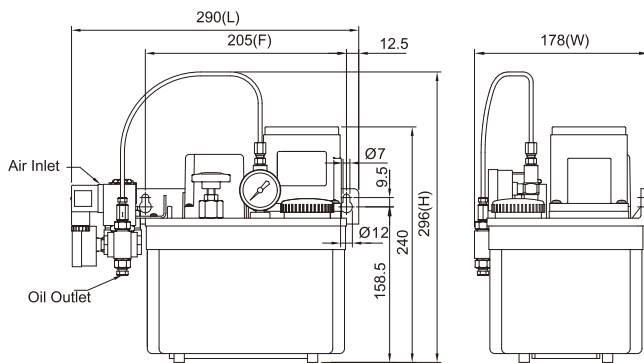
CEN24 Horizontal, CEN25 Vertical Type Oil-Mist Electric Lubricator



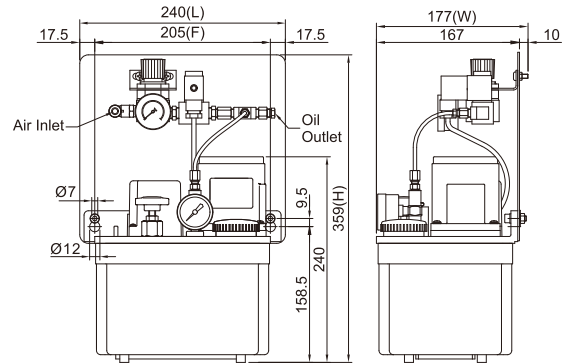
CEN24-03 Standard



CEN25-03 Standard



CEN24-03 Type Standard Externals



CEN25-03 Type Standard Externals

◆ **Features**

1. CEN24, CEN25 types are without timer, also could be controlled by Programmable Logic Controller (PLC).
2. The discharge volume is stable and can be adjusted by the pressure-regulating valve. Turning the valve clockwise, the oil volume will increase, and turning anticlockwise, the oil volume will reduce.
3. When the power of the lubricator is off, the air pressure and output power will be turned off at the same time for safety.
4. It has a pressure-regulating valve, which can adjust the pressure and easy to check from the pressure gauge.
5. It has a float switch that can detect the oil volume. It will have abnormal signal automatically when the oil level is lower than the minimum.
6. The function of CEN24, CEN25 types are similar to CEN22 (Horizontal), CEN23 (Vertical) types. The difference is CEN24, CEN25 types are without timer, and CEN22, CEN23 types are with timers.

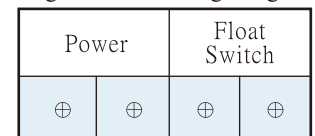
◆ **Application of Machines Equipment**

The oil-mist type lubricator has cooling, lubricative and filtering effect that can reduce wear of the lubricating parts. It is suitable for cutting machines and bearings lubrication.

Model	Motor	Max Volume	Max Pressure	1Ø Voltage	Ampere	Hertz	Discharge Bore	Oil Viscosity
CEN24 Horizontal CEN25 Vertical	25W	200 cc/min	15kgf/cm ²	110V 220V	0.6A 0.3A	50/60Hz	Ø4orØ6	32-68cSt@40°C

Model	Tank Code	Tank Material	Capacity Liters	Fixed Hole Distance(mm)	Length (mm)	Width (mm)	Height (mm)	Weight (kg)
CEN24	03	Resin	3L	205	290	178	296	5.65
	04	Resin	4L	250	349	178	315	6.25
Model	Tank Code	Tank Material	Capacity Liters	Fixed Hole Distance(mm)	Length (mm)	Width (mm)	Height (mm)	Weight (kg)
CEN25	03	Resin	3L	205	240	177	359	6.10
	04	Resin	4L	250	277	185	383	7.30

CEN24、CEN25 Single Phase Wiring Diagram



◆ **Order Code :**

CEN 24	03	C	25	3	※
Model : Oil-Mist 24 : Horizontal Type 25 : Vertical Type	Tank Capacity (Material) 03 : 3L (Resin) 04 : 4L (Resin)	Voltage A : 110V C : 220V	Motor 25 : 25W	Discharge Bore 2 : Ø4 (With Pressure Gauge) 3 : Ø6 (With Pressure Gauge)	Special Request