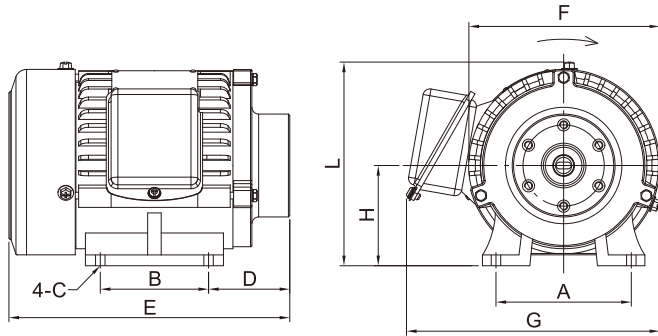


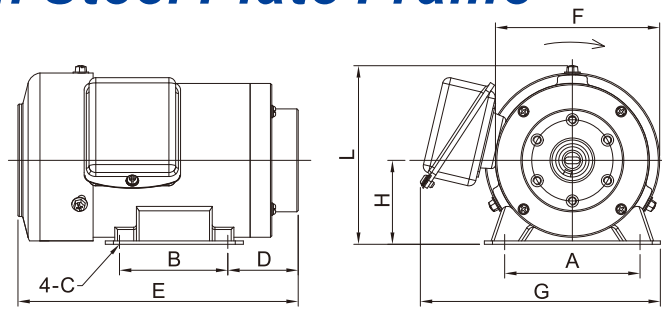
# Horizontal Motor With Cast Iron Frame



1/4HP: Assembled W/Rotary Oil Pump  
1/2HP & 1HP: Assembled W/Heavy Oil Pump

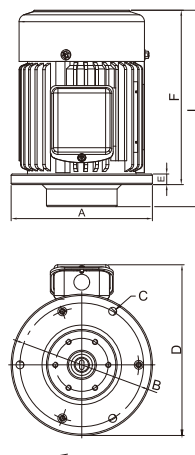
HP	A	B	C	D	E	F	G	H	L	N.W. (kg)
1/4	100	80	Ø7	60	207.5	142	187	74	150	9
1/2	125	100	Ø10	68	246	175	225	80	173	14
1	125	100	Ø10	75.5	262.5	175	225.5	80	168	16

# Horizontal Motor With Steel Plate Frame



HP	A	B	C	D	E	F	G	H	L	N.W. (kg)
1/8	70	60	Ø7	51	179	100.7	152	56	105	5.5
1/4	100	80	Ø8	51.5	207	121.3	177	62	132	6.5

# Vertical Motor With Cast Iron Frame



HP	A	B	C	D	E	F	L	N.W. (kg)
1/4	Ø160	Ø140	3-Ø9	193	12	197.5	222.5	7.98

### ◆Order Code :

PMO-0

0 : Motor

02

HP  
01 : 1/8HP  
02 : 1/4HP  
04 : 1/2HP  
08 : 1HP

D

Voltage  
A : 1Ø110V  
C : 1Ø220V  
D : 3Ø220/380V  
E : 3Ø220/440V  
F : 3Ø208/415V  
G : 3Ø230/460V  
H : 3Ø240/480V  
X : Special Voltage

1

1 : Vertical Type (1/4HP)  
3 : Horizontal Type

2

1 : Steel Plate  
(1/8HP、1/4HP)  
2 : Cast Iron  
(1/4HP、1/2HP、1HP)

※

Special Request