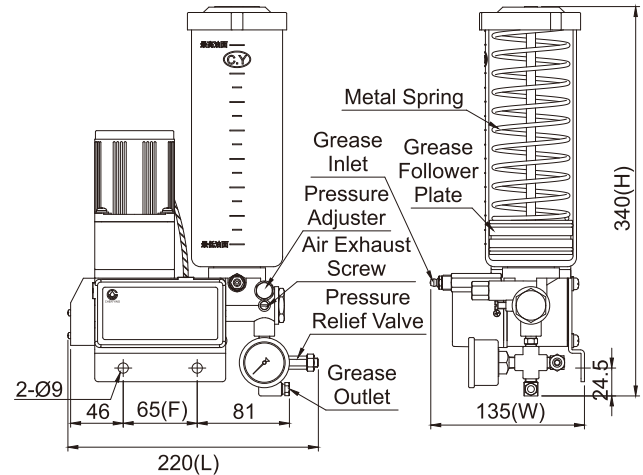


KSCP Resistance Type PLC Grease Electric Lubricator with Metal Spring

KSCP Resistance Type Grease Electric Lubricator with Metal Spring



KSCP-40-C-3

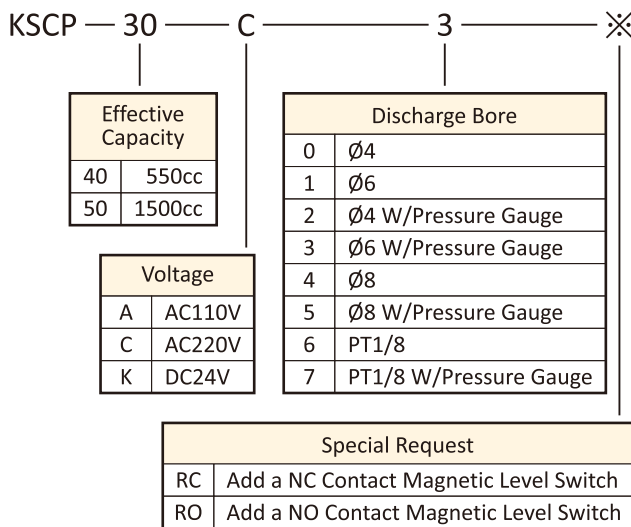


Dimensional Drawing of KSCP-40-C-3

◆ Features

1. The operation and interval time of KSCP are controlled by PLC.
2. KSCP has a pressure gauge that enables the user to check the operating pressure easily.
3. KSCP has a metal spring inside its grease tank, enabling it to work with thicker grease of the viscosity NLGI 1 and NLGI 2.
4. A magnetic level switch can be added to KSCP on request to detect the grease level automatically.
5. Please refill grease from the grease inlet of KSCP to prevent air and impurities from entering the grease tank.

◆ Order Code



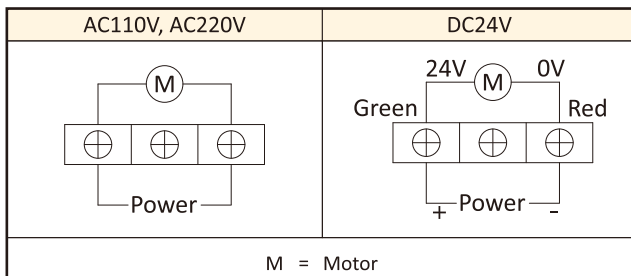
◆ Dimensional Data

Model	Effective Capacity	Length (mm)	Width (mm)	Height (mm)	Mounting Hole Distance (mm)	N.W. (kg)
KSCP-40	550cc	220	135	340	65	4.33
KSCP-50	1500cc	220	161	386		5.55

◆ Technical Data

	AC110V	AC220V	DC24V
Voltage	AC110V	AC220V	DC24V
Motor Power	15W	15W	20W
Ampere	0.5A	0.2A	0.4A
Hertz	50/60Hz Compatible		--
Max. Discharge Volume	15cc/min		
Max. Operating Pressure	150kgf/cm ²		
Discharge Bore	∅4, ∅6, ∅8, PT1/8		
Suitable Viscosity	Grease, NLGI 1, 2		

◆ Wiring Diagram



◆ Related Products

