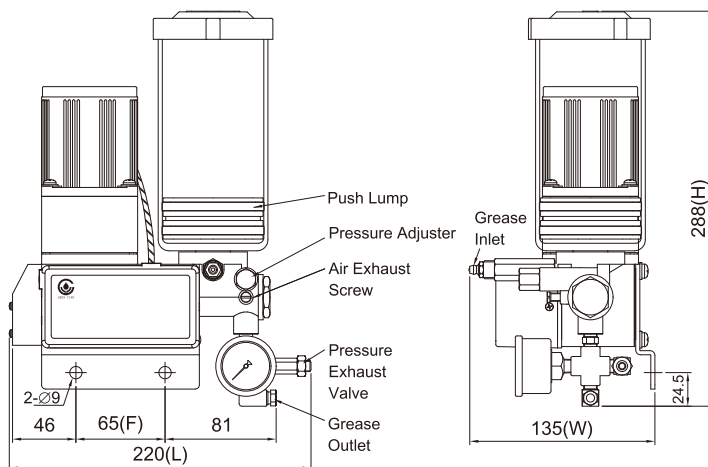


KSC Type Grease Electric Lubricator PLC



KSC-30(110/220V)



KSC-30 Standard Externals

◆ Features

- 1.KSC type is without timer that could be controlled by Programmable Logic Controller.(PLC)
- 2.It is divided by the volume of grease tank KSC-30(600cc), KSC-35(1000cc), KSC-40(800cc), and KSC-50(2000cc). Please refer to the specification for further details.
- 3.Recommend using a grease gun for filling with lubricant from the grease inlet, It can avoid air or impurities dropping into the grease tank.
- 4.It has a pressure gauge where an operator can check the pressure easily.
- 5.Recommend working with CV type progressive feeder that can easily control the volume of lubricant. CV type progressive feeder can be assembled with NO (Normal Open) or NC (Normal Close) sensor switch on request.
- 6.Its function is similar to KSB type. The difference is that KSC type is without timer but KSB type is with timer.
- 7.Fill the lubricator with grease and let it run several times to exhaust air before mounting the distributors.

◆ Application of Machines Equipment

It's usually used for plastic or rubber processing machines, pressing and special purpose machines, etc.

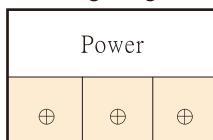


KSC-30-C-3-S
with Sensor Level Switch

| Model | Capacity Liters | Operation Time | Interval Time | Motor | Max Volume | Max Pressure | Voltage | Ampere | Hertz | Discharge Bore | Viscosity |
|--------|-----------------|-------------------|---------------|-------|------------|------------------------|---------|--------|-----------------------|-------------------------|-----------------------------------|
| KSC-30 | 600cc | Controlled by PLC | | 20W | 15cc/min | 150kgf/cm ² | DC24V | 0.4A | 50/60Hz Compatible | Ø4 Ø6 Ø8 PT1/8 | Grease NLGI Grades 0 to 000 |
| KSC-35 | 1000cc | | | | | | | | | | |
| KSC-40 | 800cc | | | 15W | | | | | | | |
| KSC-50 | 2000cc | | | | | | | | | | |

| Model | Fixed Hole Distance(mm) | Length (mm) | Width (mm) | Height (mm) | Weight (kg) |
|--------|-------------------------|-------------|------------|-------------|-------------|
| KSC-30 | 65mm | 220 | 135 | 288 | 3.26 |
| KSC-35 | | 220 | 161 | 300 | 4.19 |
| KSC-40 | | 220 | 135 | 342 | 3.61 |
| KSC-50 | | 220 | 161 | 385 | 4.36 |

KSC Single Phase Wiring Diagram



KSC Type DC24V Wiring Diagram



Note:

- 1.Connect proper power
- 2.Follow wiring diagram to connect wires.
- 3.Electric current shouldn't be over loaded than 1.2A.

◆ Order Code :

KS C

Electric Grease Lubricator
C : Controlled by PLC

30

Tank Capacity
30 : 600cc
35 : 1000cc
40 : 800cc
50 : 2000cc

C

Voltage
A : 110V
C : 220V
K : DC24V

3

Discharge Bore
0 : Ø4
1 : Ø6
2 : Ø4 (With Pressure Gauge)
3 : Ø6 (With Pressure Gauge)
4 : Ø8
5 : Ø8 (With Pressure Gauge)
6 : PT1/8
7 : PT1/8 (With Pressure Gauge)

✳

Special Request
KSC-30/-40/-50 can be added
RC: Magnetic Level Switch (NC)
RO: Magnetic Level Switch (NO)
KSC-30/-40 can be added
S : Sensor Level Switch