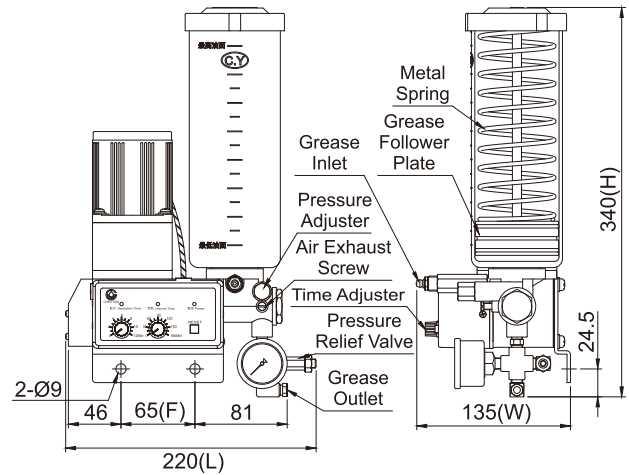


KSBP Resistance Type Grease Electric Lubricator with Metal Spring Timer

KSBP Resistance Type Grease Electric Lubricator with Metal Spring



KSBP-40-180-C-3

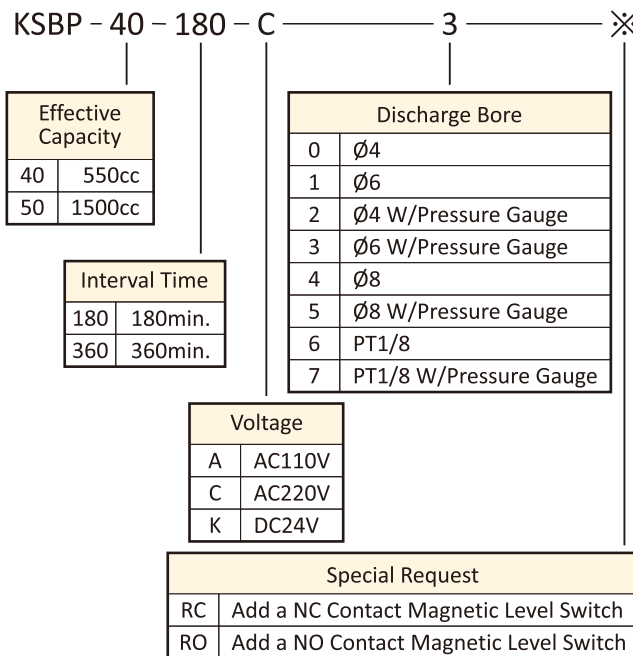


Dimensional Drawing of KSBP-40-180-C-3

◆ Features

1. KSBP has a timer that controls its operation and interval time.
2. KSBP has a pressure gauge that enables the user to check the operating pressure easily.
3. KSBP has a metal spring inside its grease tank, enabling it to work with thicker grease of the viscosity NLGI 1 and NLGI 2.
4. A magnetic level switch can be added to KSBP on request to detect the grease level automatically.
5. Please refill grease from the grease inlet of KSBP to prevent air and impurities from entering the grease tank.

◆ Order Code



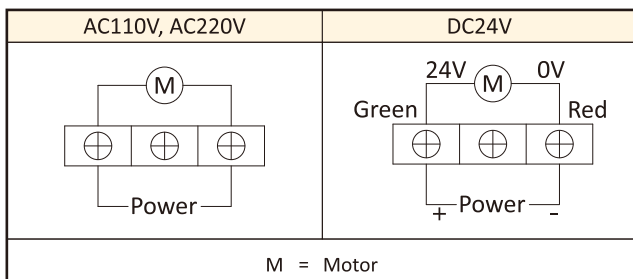
◆ Dimensional Data

Model	Effective Capacity	Length (mm)	Width (mm)	Height (mm)	Mounting Hole Distance (mm)	N.W. (kg)
KSBP-40	550cc	220	135	340	65	4.10
KSBP-50	1500cc	220	161	386		5.47

◆ Technical Data

Operation Time	3 sec. to 12 min.		
Interval Time	1-180 min., 1-360 min.		
Voltage	AC110V	AC220V	DC24V
Motor Power	15W	15W	20W
Ampere	0.5A	0.2A	0.4A
Hertz	50/60Hz Compatible		--
Max. Discharge Volume	15cc/min		
Max. Operating Pressure	150kgf/cm ²		
Discharge Bore	∅4, ∅6, ∅8, PT1/8		
Suitable Viscosity	Grease, NLGI 1, 2		

◆ Wiring Diagram



◆ Related Products

