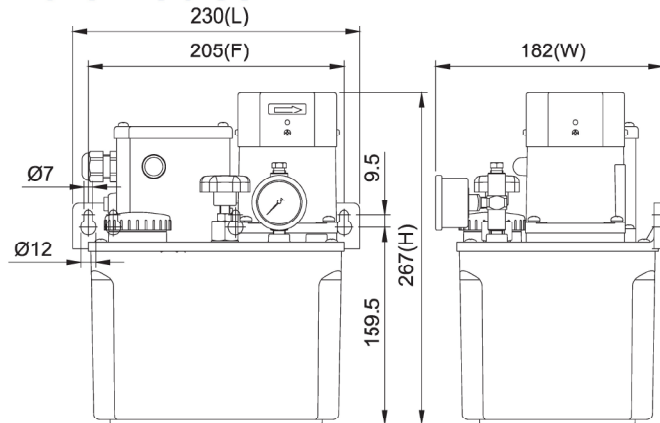


# KGVB Pressure-Relief Type PLC Fluid Grease Electric Lubricator



KGVB-03-C-40-3

Dimensional Drawing of KGVB-03-C-40-3

### ◆ Features

1. The operation and interval time of KGVB are controlled by PLC.
2. KGVB has to work with CFB volume type grease distributors to deliver the metered quantity of grease to the lubrication points.
3. KGVB has a pressure-regulating valve that enables the user to adjust the operating pressure. KGVB also has a feed-grease button, which can be used as manual grease feeding for less than 3 minutes to avoid overloading the motor.
4. A 20kgf/cm<sup>2</sup> socket pressure switch can be added to KGVB on request to detect the operating pressure automatically.
5. A capacitive level switch can be added to KGVB on request to detect the grease level automatically.
6. The gear pump of KGVB is made of special aluminum alloy and assembled with a 40W induction motor to provide stable output pressure, low operating noise, and long service life.
7. The induction motor has a fan that can reduce the temperature and prolong the service life of KGVB.

### ◆ Order Code

KGVB — 03 — C — 40 — 3 — ✱

Tank Capacity (Material)	Voltage	Motor Power
03 3L (Resin)	A 1Ø110V	40 40W
04 4L (Resin)	C 1Ø220V	
05 4L (Alum.)	D 3Ø220/380V	
08 8L (Iron)		

Discharge Bore	
1	Ø6
3	Ø6 W/Pressure Gauge

Special Request	
PC	Add a NC Contact Pressure Switch
PO	Add a NO Contact Pressure Switch
KO	Add a PNP, NO Contact Capacitive Level Switch

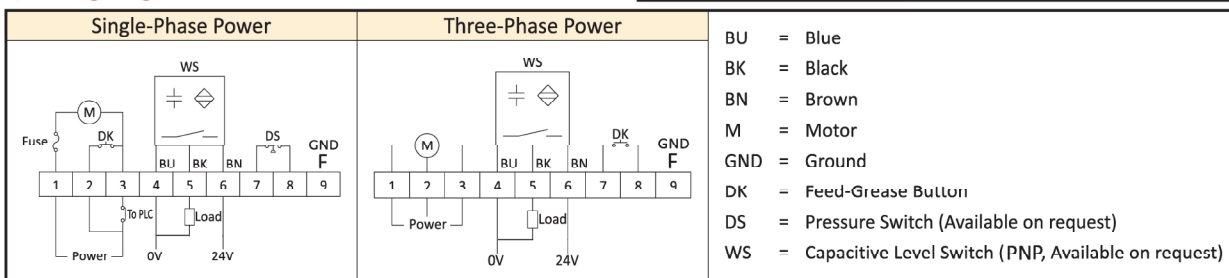
### ◆ Dimensional Data

Tank Capacity	Tank Material	Length (mm)	Width (mm)	Height (mm)	Mounting Hole Distance (mm)	N.W. (kg)
3L	Resin	230	182	267	205	5.29
4L	Resin	288	162	278	250	5.89
4L	Alum.	297	170	276	95x280	6.84
8L	Iron	355	201	299	95x338	9.54

### ◆ Technical Data

Voltage	1Ø110V	1Ø220V	3Ø220/380V
Ampere	0.75A	0.50A	0.40A
Motor Power	40W		
Hertz	50/60Hz Compatible		
Max. Discharge Volume	170cc/min		
Max. Operating Pressure	40kgf/cm <sup>2</sup>		
Discharge Bore	Ø6		
Suitable Viscosity	NLGI 000, 00 (NLGI 00 is suitable for the model with 3L resin tank only.)		

### ◆ Wiring Diagram



✱ A standard dual-voltage motor is connected for low voltage. Please specify if you need it to be connected to high voltage when placing an order.

### ◆ Related Products

