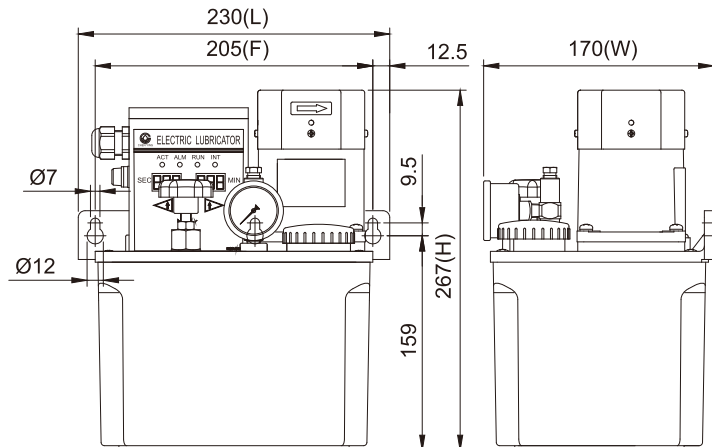


KGNV Resistance Type **Timer** Fluid Grease Electric Lubricator



KGNV-03-C-40-3

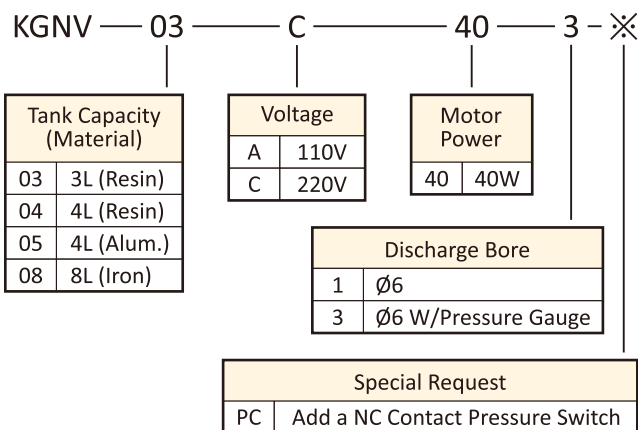


Dimensional Drawing of KGNV-03-C-40-3

◆ Features

1. KGNV has a timer that controls the operation and interval time.
2. There are four indicators on the control box, operation (ACT), alarm (ALM), immediate lubrication (RUN), and interval (INT).
3. KGNV has a pressure-regulating valve that enables the user to adjust the operating pressure.
4. KGNV has a feed-grease button (F button), which can be used as manual grease feeding for less than 3 minutes to avoid overloading the motor.
5. A 20kgf/cm² socket pressure switch can be added to KGNV on request to detect the operating pressure automatically.
6. The gear pump of KGNV is made of special aluminum alloy and assembled with a 40W induction motor to provide stable output pressure, low operating noise, and long service life.
7. The induction motor has a fan that can reduce the temperature and prolong the service life of KGNV.

◆ Order Code



◆ Dimensional Data

Tank Capacity	Tank Material	Length (mm)	Width (mm)	Height (mm)	Mounting Hole Distance (mm)	N.W. (kg)
3L	Resin	230	170	267	205	5.25
4L	Resin	277	162	278	250	5.85
4L	Alum.	297	170	276	95x280	6.85
8L	Iron	355	201	299	95x338	9.59

◆ Technical Data

Operation Time	1-999 sec.	
Interval Time	1-999 min.	
Voltage	110V	220V
Ampere	0.75A	0.50A
Motor Power	40W	
Hertz	50/60Hz Compatible	
Max. Discharge Volume	170cc/min	
Max. Operating Pressure	40kgf/cm ²	
Discharge Bore	Ø6	
Suitable Viscosity	Grease, NLGI 000, 00 (NLGI 00 is suitable for the model with 3L resin tank only.)	

◆ Wiring Diagram

Abnormal Output			Ground	Power
NO(A)	NC(B)	COM	GND(P.E)	POWER
⊕	⊕	⊕	⊕	⊕

◆ Related Products



P. 85

P. 81

P. 82

P. 83

P. 109

P. 111

P. 115

P. 124

P. 123