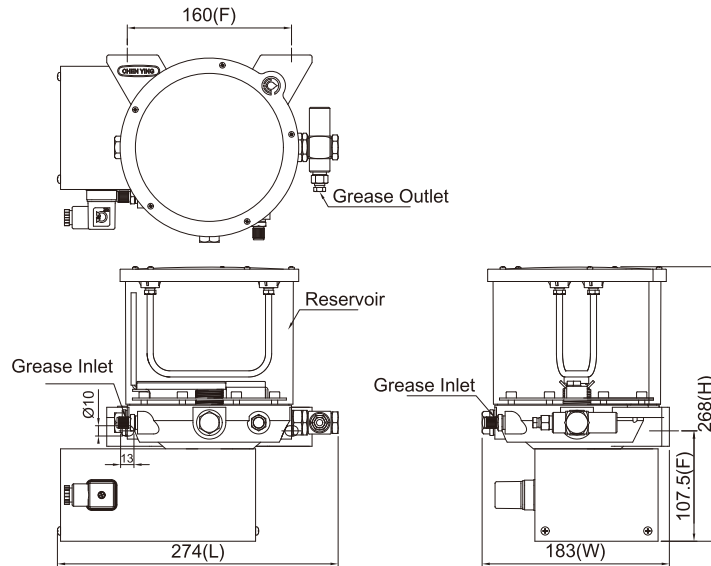


KGH-2L Grease Electric Lubricator



KGH Standard



KGH Standard Externals

◆ Features:

- 1.KGH type is designed for the machine which needs continuously fixed amount grease-feeding. The maximum operating pressure could reach 300 kgf/cm² and discharge volume is 4.8cc per minute.
- 2.KGH has a stirrer that can stir grease from NLGI 000 to 2.
- 3.It has three outlets as optional upon the customer's request. The standard type is one lubricant outlet with an excess pressure valve. The excess pressure valve bore is PT 1/4 and the optional accessory adapter could be selected from Ø4~Ø10.
- 4.There are two grease nipples for filling up grease by a grease gun in order to avoid impurities dropping into the reservoir.
- 5.To avoid the danger of excessive pressure, the excess pressure valve will open to clear excess grease when the operating pressure reaches 250 kgf/cm².
- 6.KGH can continuously supply grease-feeding and its operation and interval time can be set up by Programmable Logic Controller (PLC).
- 7.Recommend working with CV type progressive feeders that can easily control the volume of lubricant. CV type progressive feeders supply a fixed flow of lubricant that deliver equal volume to each point and the discharge volume of each outlet is 0.18cc/stroke.
- 8.A timer is available for AC 110V/220V upon request.

◆ Application of Machines Equipment:

It could be applied for Plastic or Rubber Processing Machines, Pressing and Special Purpose Machines, etc.

Model	Capacity	Act Time	Interval Time	Motor	Max Volume	Max Pressure	Voltage	Ampere	Motor Direction
KGH	2000 cc	Controlled by PLC		125W	4.8 cc/min	300 kg/cm ²	DC24V	5A	Anti-Clockwise
	Wiring	Discharge Bore	Grease Viscosity	Fixed Hole Distance (mm)	Length(mm)	Width(mm)	Height(mm)	Weight(kg)	
	1 Means - 2 Means +	Ø4 x PT1/4 Ø6 x PT1/4 Ø8 x PT1/4 Ø10 x PT1/4	NLGI 000~2	160	274	183	268	8.65	

◆ Order Code :

KGH— 2L

1

K

1

※

Tank Capacity

Outlet Number

Voltage

Discharge Bore

Special Request

- 1 : 1 Outlet
- 2 : 2 Outlets
- 3 : 3 Outlets

K : DC24V

- 0 : Ø4 x PT1/4
- 1 : Ø6 x PT1/4
- 2 : Ø8 x PT1/4
- 3 : Ø10 x PT1/4

- A : Add a transformer to change to AC 110V
- C : Add a transformer to change to AC 220V
- N : Add a transformer to change to AC 110/220V and add a timer
- KC : Add a Capacitive Level Switch (NC)
- KO : Add a Capacitive Level Switch (NO)